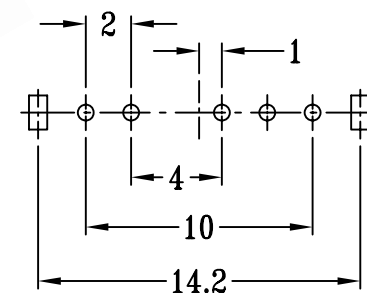
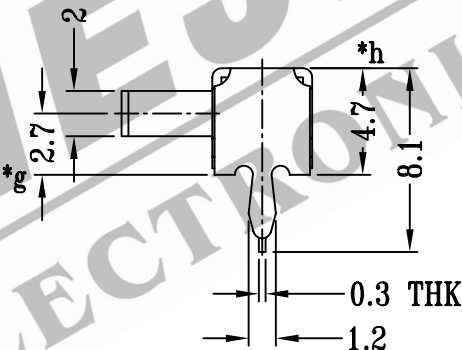
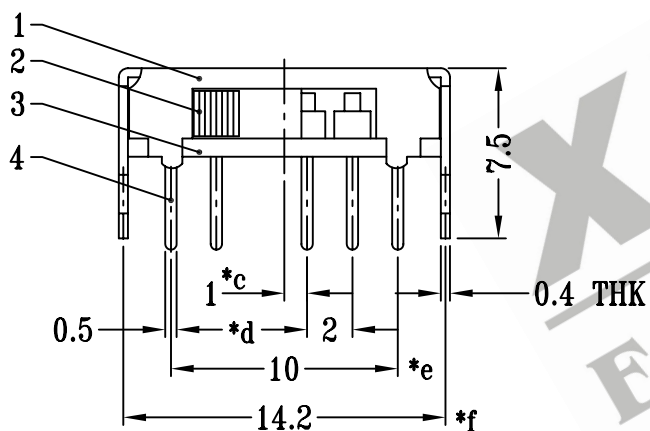
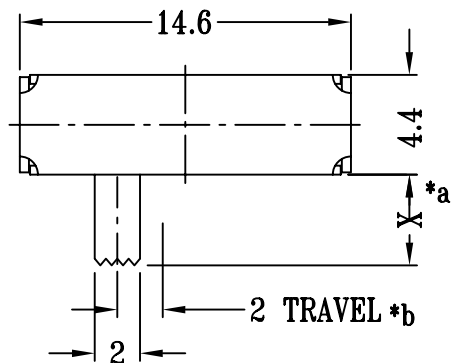
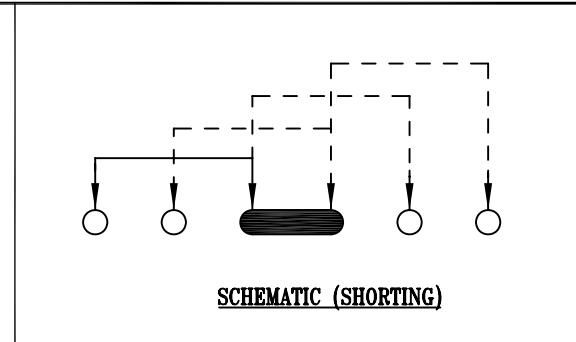


CAD FILE:



P.C.B LAYOUT



SCHEMATIC (SHORTING)

注:带"*"表示关键尺寸(8个)

					TOLERANCE UNLESS SPECIFIED		SHENZHEN XIEJIA ELECTRONICS CO.,LTD.				
					WITHIN: 1.5±0.1mm		ISSUE	DATE	DESCRIPTIONS		APPD.
					OVER : 1.5±0.2mm						
8											
7											
6	SPRING PLATE	STAINLESS STEEL	1	NATURAL							
5	CONTACT CLIP	PBS	1	Ag CLAD							
4	TERMINAL	BRASS STRIP	5	Ag PLATED OVER Ni PLATED	TITLE : HORIZONTAL SLIDE SWITCH			UNIT : MM	DRWG NO.: XJ-DR-SK14D02-00		
3	BASE	PHENOLIC RESIN	1	NATURAL	MODEL: SK-14D02			SCALE: 3 : 1	DWN.	ZHOUYU	2005-9-6
2	KNOB	POM	1	BLACK					CHK'D	FANGYING	2005-9-6
1	FRAME	STEEL STRIP	1	Ni PLATED	ALL MATERIALS MUST BE COMPLIANT TO ROHS				APPD.	KANGXINAN	2005-9-6
NO.	PART NAME	MATERIAL	Q'TY	FINISHING							